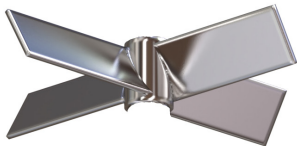


**PRODUCT  
CATALOG**

**TMXFLOW**

# ***SKDS AGITATOR***





**Propeller**

## **Application**

SKDS mixers are vertical mixers with worm gear motors. They can be used in mixing, Dissolution and maintenance processes where a light to moderate mixture is required. This The mixer is designed for the food processing, cosmetic and pharmaceutical industries and The most suitable coating is provided for each sector. The SKDS mixer can be used in tanks up to 10,000 L with medium to high level products.

## **Operation**

The agitators are installed inside the tank either centrally with current deflectors so that the position itself prevents the rotation of the mixed product. The rotation of the propeller makes the product flow to the bottom and then up to the surface along the walls of the tank. The effect is enhanced if the bottom of the tank is curve.

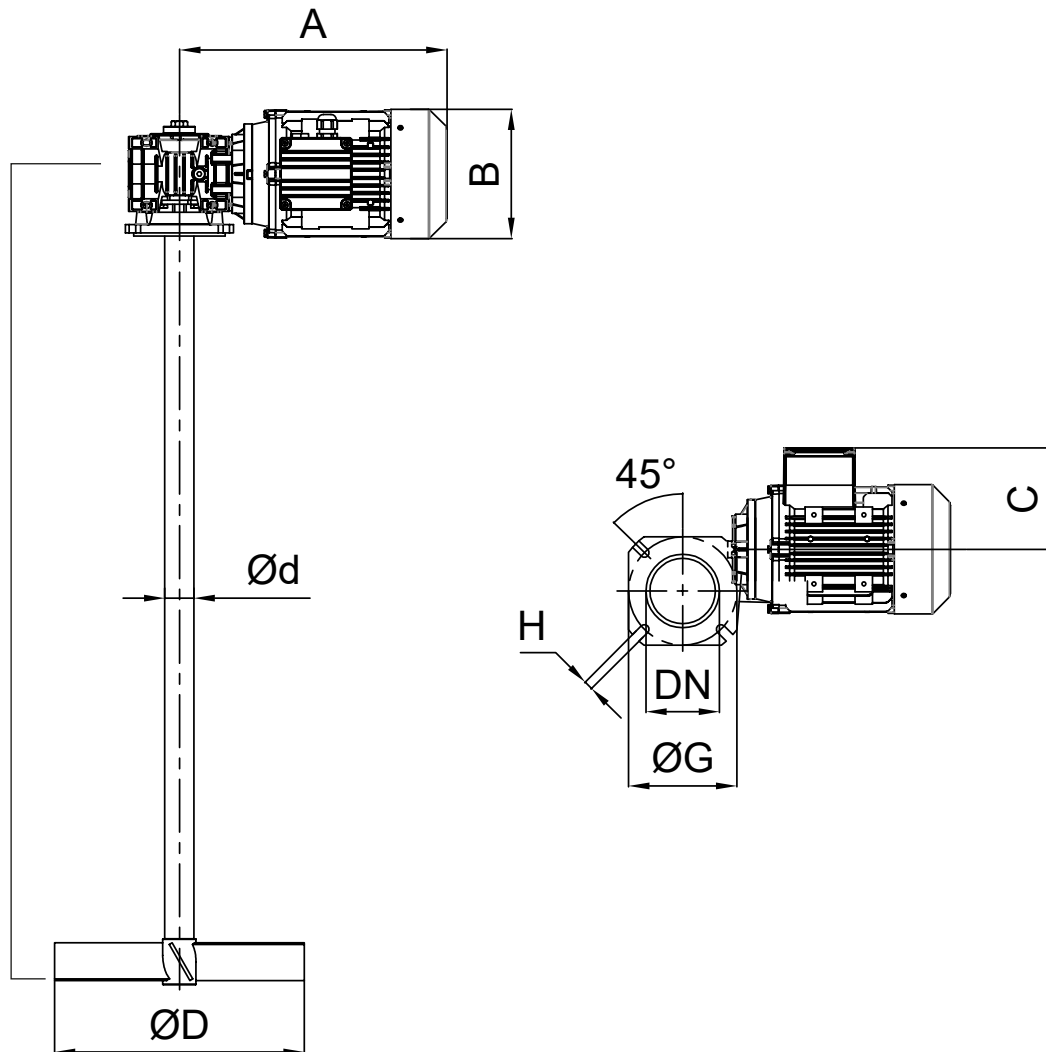
## **Design and features**

Vertical agitator.  
Sealing: splash ring and lip seal.  
Propeller fixed to the shaft by Allen cap screws.  
Worm gear motor with smooth surfaces and food-grade oil:  
IEC, IP55, F-class insulation.  
Propeller with 4 inclined blades.

## **Options**

FPM lip seal (FDA).  
Shaft and propeller lined with plastic material for use with corrosive products.  
Welded propeller with  $Ra \leq 0,5 \mu m$  surface finish.  
Propeller with 2 inclined blades (T6).  
Gamma propeller (T16).  
High flow propeller (T19).  
Geared motor shroud.  
Other motor protections available on request.

## Dimensions



Agitator	Motor Power [kW]	Speed [r/min]	Dimension								Agitator Shaft		Type 11
			B	A	C	Flange					ØD	ØL	Inclined Blades ØD
						ØA	ØB	ØDN	F	ØG			
SKDS 1.11-06905-300	0,55	69	174	340	142	125	85	50	110	11	35	1500	300
SKDS 1.11-18305-300	0,55	183	174	340	142	125	85	50	110	11	35	1500	300
SKDS 1.11-13805-400	0,55	138	174	340	142	125	85	50	110	11	35	1500	400
SKDS 1.11-11005-500	0,55	110	174	340	142	125	85	50	110	11	35	1500	500
SKDS 1.11-11411-600	1,1	114	192	395	147	180	150	100	142	11	40	2000	600
SKDS 1.11-09822-800	2,2	98	211	455	169	200	165	125	170	14	45	2000	800